

PARTS LIST

CAUTION

- The parts identified by the \triangle symbol are important for the safety . Whenever replacing these parts, be sure to use specified ones to secure the safety .
- The parts not indicated in this Parts List and those which are filled with lines --- in the Parts No. columns will not be supplied .
- P. W. Board Ass'y will not be supplied, but those which are filled with the Parts No. in the Parts No. columns will be supplied .

ABBREVIATIONS OF RESISTORS, CAPACITORS AND TOLERANCES

RESISTORS		CAPACITORS	
C R	Carbon Resistor	C CAP.	Ceramic Capacitor
F R	Fusible Resistor	E CAP.	Electrolytic Capacitor
P R	Plate Resistor	M CAP.	Mylar Capacitor
V R	Variable Resistor	HV CAP.	High Voltage Capacitor
HV R	High Voltage Resistor	MF CAP.	Metalized Film Capacitor
MF R	Metal Film Resistor	MM CAP.	Metalized Mylar Capacitor
MG R	Metal Glazed Resistor	MP CAP.	Metalized Polystyrol Capacitor
MP R	Metal Plate Resistor	PP CAP.	Polypropylene Capacitor
OM R	Metal Oxide Film Resistor	PS CAP.	Polystyrol Capacitor
CMF R	Coating Metal Film Resistor	TF CAP.	Thin Film Capacitor
UNF R	Non-Flammable Resistor	MPP CAP.	Metalized Polypropylene Capacitor
CH V R	Chip Variable Resistor	TAN. CAP.	Tantalum Capacitor
CH MG R	Chip Metal Glazed Resistor	CH C CAP.	Chip Ceramic Capacitor
COMP. R	Composition Resistor	BP E CAP.	Bi-Polar Electrolytic Capacitor
LPTC R	Linear Positive Temperature Coefficient Resistor	CH AL E CAP.	Chip Aluminum Electrolytic Capacitor
		CH AL BP CAP.	Chip Aluminum Bi-Polar Capacitor
		CH TAN. E CAP.	Chip Tantalum Electrolytic Capacitor
		CH AL BP E CAP.	Chip Tantalum Bi-Polar Electrolytic Capacitor

RESISTORS									
F	G	J	K	M	N	R	H	Z	P
±1%	±2%	±5%	±10%	±20%	±30%	+30% -10%	+50% -10%	+80% -20%	+100% 0%

CONTENTS

USING P.W. BOARD & REMOTE CONTROL UNIT	39
EXPLODED VIEW PARTS LIST-I	39
EXPLODED VIEW-I	39
EXPLODED VIEW PARTS LIST-II	40
EXPLODED VIEW-II	41
PRINTED WIRING BOARD PARTS LIST	
MAIN PW BOARD ASS'Y	42
REMOTE CONTROL UNIT PARTS LIST (RM-C359-1C).....	46
PACKING / PACKING PARTS LIST	47

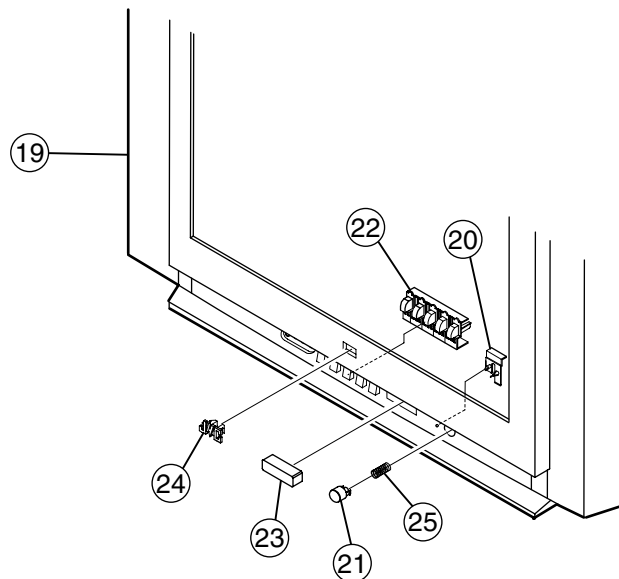
USING P.W. BOARD & REMOTE CONTROL UNIT

P.W.B ASS'Y	Model	AV-21L81-BK
MAIN PWB (include CRT SOCKET PWB)		SCH-1025A-BK
REMOTE CONTROL UNIT		RM-C359-1C

EXPLODED VIEW PARTS LIST-I

△ Ref.No.	Part No.	Part Name	Description	Local
19	GG10129-009A-H	FRONT CABINET		
20	GG30021-001A-H	LED LENS		
21	GG30019-001B-H	POWER KNOB		
22	GG20006-001A-H	CONTROL KNOB		
23	GG30020-001A-H	E.E.WINDOW		
24	CM48125-009	JVC MARK		
25	CM35235-003-H	SPRING		

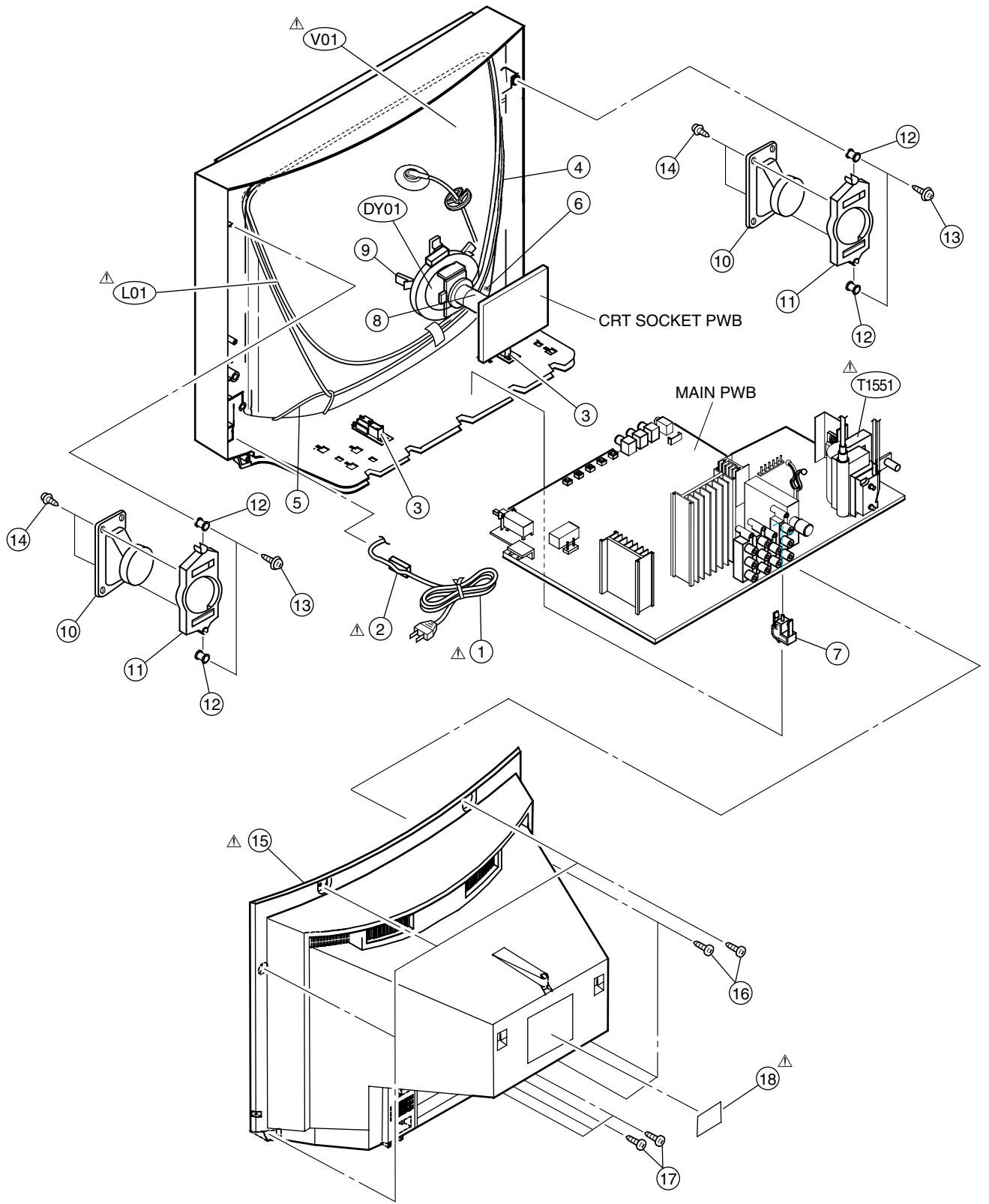
EXPLODED VIEW-I



EXPLODED VIEW PARTS LIST-II

△ Ref.No.	Part No.	Part Name	Description	Local
△ V01	A51QDX992X	PICTURE TUBE		
△ L01	QQW0118-001	DEG COIL		
△ DY01	QQD0060-002	DEFLECTION YOKE		
△ T1551	QQH0104-001	FBT		
△ 1	QMPR010-200-E2	POWER CORD		
△ 2	CM47005-A01-H	CORD CLAMP		
3	CM36623-B01-H	CHASSIS RAIL	(X2)	
4	CHGB0028-0A	BRAIDED ASSY		
5	CHGB0017-0C	BRAIDED ASSY(SUB)		
6	A48457-3-H	SPRING		
7	CM48144-002-H	PB STOPPER		
8	A75034-B	PC MAGNET		
9	CE40764-00A	WEDGE ASSY	(X3)	
10	QAS0032-001	SPEAKER	(X2) SP01, SP02	
11	LC20371-001D-H	SP HOLDER	(X2)	
12	LC40226-003A-H	SPACER	(X4)	
13	LC40317-002A-H	TAPPING SCREW	(X4)	
14	QYSBSB4012Z	TAPPING SCREW	(X4)	
△ 15	GG10130-001B-H	REAR COVER		
16	QYSBSFG4016Z	TAPPING SCREW	(X7)	
17	QYSBSF3010Z	TAPPING SCREW	(X4)	
△ 18	CM22960-084-H	RATING LABEL		

EXPLODED VIEW-II



PRINTED WIRING BOARD PARTS LIST**MAIN PW BOARD ASS'Y(SCH-1025A-BK)**

△ Symbol No.	Part No.	Part Name	Description	Local	△ Symbol No.	Part No.	Part Name	Description	Local
RESISTOR					RESISTOR				
R1001-02	NRSA63J-221X	MG R	220Ω 1/16W J		R1524	QRL02EJ-270X	OM R	27Ω 2W J	
R1003	NRSA63J-392X	MG R	3.9kΩ 1/16W J		R1526	QRG01GJ-271	OM R	270Ω 1W J	
R1004	NRSA63J-221X	MG R	220Ω 1/16W J		R1527	QRL03EJ-103X	OM R	10kΩ 3W J	
R1006	NRSA63J-273X	MG R	27kΩ 1/16W J		R1528-29	QRX029J-1R2	MF R	1.2Ω 2W J	
R1101	NRSA63J-100X	MG R	10Ω 1/16W J		R1531	NRSA63J-222X	MG R	2.2kΩ 1/16W J	
R1102	NRSA63J-682X	MG R	6.8kΩ 1/16W J		△ R1532	QRZ9017-4R7	F R	4.7Ω 1/4W J	
R1103	NRSA63J-272X	MG R	2.7kΩ 1/16W J		△ R1540	QRZ9011-4R7	F R	4.7Ω 1/2W J	
R1104	NRSA63J-181X	MG R	180Ω 1/16W J		R1541-42	QRE121J-154Y	C R	150kΩ 1/2W J	
R1105	NRSA63J-220X	MG R	22Ω 1/16W J		R1543	QRE121J-471Y	C R	470Ω 1/2W J	
R1106	NRSA63J-101X	MG R	100Ω 1/16W J		R1545	QRE121J-220Y	C R	22Ω 1/2W J	
R1107	NRSA63J-472X	MG R	4.7kΩ 1/16W J		R1546	QRE121J-822Y	C R	8.2kΩ 1/2W J	
R1108-09	NRSA63J-222X	MG R	2.2kΩ 1/16W J		R1591	QRE121J-222Y	C R	2.2kΩ 1/2W J	
R1114	NRSA63J-821X	MG R	820Ω 1/16W J		R1592	QRZ0221-2R2	UNF R	2.2Ω	
R1115	NRSA63J-181X	MG R	180Ω 1/16W J		R1593	NRSA63J-102X	MG R	1kΩ 1/16W J	
R1117	NRSA63J-102X	MG R	1kΩ 1/16W J		R1594	QRE121J-183Y	C R	18kΩ 1/2W J	
R1119	NRSA63J-102X	MG R	1kΩ 1/16W J		R1595	NRSA63J-222X	MG R	2.2kΩ 1/16W J	
R1120	NRSA63J-271X	MG R	270Ω 1/16W J		R1621-22	NRSA63J-101X	MG R	100Ω 1/16W J	
R1122	QRE141J-0R0Y	C R	0.0Ω 1/4W J		R1626	NRSA63J-472X	MG R	4.7kΩ 1/16W J	
R1130	NRSA63J-472X	MG R	4.7kΩ 1/16W J		R1627	NRSA63J-224X	MG R	220kΩ 1/16W J	
R1131	NRSA63J-471X	MG R	470Ω 1/16W J		R1628	NRSA63J-104X	MG R	100kΩ 1/16W J	
R1132	NRSA63J-222X	MG R	2.2kΩ 1/16W J		R1629	NRSA63J-153X	MG R	15kΩ 1/16W J	
R1133	NRSA63J-152X	MG R	1.5kΩ 1/16W J		R1630	NRSA63J-273X	MG R	27kΩ 1/16W J	
R1134	NRSA63J-182X	MG R	1.8kΩ 1/16W J		R1631	NRSA63J-473X	MG R	47kΩ 1/16W J	
R1135	NRSA63J-561X	MG R	560Ω 1/16W J		R1632-33	NRSA63J-103X	MG R	10kΩ 1/16W J	
R1136	NRSA63J-472X	MG R	4.7kΩ 1/16W J		R1650-51	NRSA63J-392X	MG R	3.9kΩ 1/16W J	
R1137	NRSA63J-103X	MG R	10kΩ 1/16W J		R1652-53	NRSA63J-0R0X	MG R	0.0Ω 1/16W J	
R1138	NRSA63J-561X	MG R	560Ω 1/16W J		R1654-55	NRSA63J-392X	MG R	3.9kΩ 1/16W J	
R1139	NRSA63J-222X	MG R	2.2kΩ 1/16W J		R1658-59	QRE121J-2R2Y	C R	2.2Ω 1/2W J	
R1140	NRSA63J-152X	MG R	1.5kΩ 1/16W J		R1660	NRSA63J-103X	MG R	10kΩ 1/16W J	
R1141	NRSA63J-182X	MG R	1.8kΩ 1/16W J		R1661	NRSA63J-683X	MG R	68kΩ 1/16W J	
R1142	NRSA63J-561X	MG R	560Ω 1/16W J		R1662	NRSA63J-333X	MG R	33kΩ 1/16W J	
R1143	NRSA63J-471X	MG R	470Ω 1/16W J		R1663	NRSA63J-103X	MG R	10kΩ 1/16W J	
R1144	NRSA63J-220X	MG R	22Ω 1/16W J		R1664	NRSA63J-222X	MG R	2.2kΩ 1/16W J	
R1145	NRSA63J-821X	MG R	820Ω 1/16W J		R1688	NRSA63J-273X	MG R	27kΩ 1/16W J	
R1146	NRSA63J-103X	MG R	10kΩ 1/16W J		R1690	NRSA63J-104X	MG R	100kΩ 1/16W J	
R1147	NRSA63J-101X	MG R	100Ω 1/16W J		R1691	NRSA63J-682X	MG R	6.8kΩ 1/16W J	
R1148	NRSA63J-332X	MG R	3.3kΩ 1/16W J		R1692	NRSA63J-104X	MG R	100kΩ 1/16W J	
R1149	NRSA63J-122X	MG R	1.2kΩ 1/16W J		R1693	NRSA63J-103X	MG R	10kΩ 1/16W J	
R1301-02	NRSA63J-222X	MG R	2.2kΩ 1/16W J		R1694	NRSA63J-472X	MG R	4.7kΩ 1/16W J	
R1303	NRSA63J-562X	MG R	5.6kΩ 1/16W J		R1695	NRSA63J-562X	MG R	5.6kΩ 1/16W J	
R1304-05	NRSA63J-222X	MG R	2.2kΩ 1/16W J		R1696	NRSA63J-222X	MG R	2.2kΩ 1/16W J	
R1306	NRSA63J-562X	MG R	5.6kΩ 1/16W J		R1698-99	NRSA63J-104X	MG R	100kΩ 1/16W J	
R1350-51	NRSA63J-151X	MG R	150Ω 1/16W J		R1701	NRSA63J-103X	MG R	10kΩ 1/16W J	
R1353	NRSA63J-151X	MG R	150Ω 1/16W J		R1702-03	NRSA63J-101X	MG R	100Ω 1/16W J	
R1354	QRE121J-222Y	C R	2.2kΩ 1/2W J		R1704	NRSA63J-102X	MG R	1kΩ 1/16W J	
R1361	NRSA63J-0R0X	MG R	0.0Ω 1/16W J		R1705	NRSA63J-103X	MG R	10kΩ 1/16W J	
R1362	NRSA63J-472X	MG R	4.7kΩ 1/16W J		R1706	NRSA63J-102X	MG R	1kΩ 1/16W J	
R1363	QRZ0107-152Z	C R	1.5kΩ 1/2W K		R1707-10	NRSA63J-472X	MG R	4.7kΩ 1/16W J	
R1364	QRE121J-222Y	C R	2.2kΩ 1/2W J		R1711-14	NRSA63J-101X	MG R	100Ω 1/16W J	
R1365	QRZ0107-152Z	C R	1.5kΩ 1/2W K		R1715-17	NRSA63J-103X	MG R	10kΩ 1/16W J	
R1366	QRZ0107-474Z	C R	470kΩ 1/2W K		R1718-19	NRSA63J-221X	MG R	220Ω 1/16W J	
R1367	QRE121J-821Y	C R	820Ω 1/2W J		R1720	NRSA63J-102X	MG R	1kΩ 1/16W J	
R1368	QRZ0107-152Z	C R	1.5kΩ 1/2W K		R1721-24	NRSA63J-221X	MG R	220Ω 1/16W J	
R1369	QRE121J-222Y	C R	2.2kΩ 1/2W J		R1725	NRSA63J-103X	MG R	10kΩ 1/16W J	
R1373	QRE121J-394Y	C R	390kΩ 1/2W J		R1726	NRSA63J-472X	MG R	4.7kΩ 1/16W J	
R1374	QRE121J-124Y	C R	120kΩ 1/2W J		R1727	NRSA63J-104X	MG R	100kΩ 1/16W J	
R1377	QRL029J-473	OM R	47kΩ 2W J		R1728	NRSA63J-103X	MG R	10kΩ 1/16W J	
R1380-83	NRSA63J-101X	MG R	100Ω 1/16W J		R1730	NRSA63J-223X	MG R	22kΩ 1/16W J	
R1384	NRSA63J-223X	MG R	22kΩ 1/16W J		R1731	NRSA63J-101X	MG R	100Ω 1/16W J	
R1401	NRSA63J-224X	MG R	220kΩ 1/16W J		R1732	NRSA02F-393X	MF R	39kΩ 1/10W F	
R1403	NRSA63J-0R0X	MG R	0.0Ω 1/16W J		R1733	NRSA63J-273X	MG R	27kΩ 1/16W J	
R1405	NRSA63J-682X	MG R	6.8kΩ 1/16W J		R1734	NRSA63J-391X	MG R	390Ω 1/16W J	
R1406	NRSA63J-123X	MG R	12kΩ 1/16W J		R1735	NRSA63J-104X	MG R	100kΩ 1/16W J	
R1408	NRSA63J-682X	MG R	6.8kΩ 1/16W J		R1736	NRSA63J-333X	MG R	33kΩ 1/16W J	
R1410	NRSA63J-123X	MG R	12kΩ 1/16W J		R1737	NRSA63J-272X	MG R	2.7kΩ 1/16W J	
R1411	QRG01GJ-221	OM R	220Ω 1W J		R1738	NRSA63J-103X	MG R	10kΩ 1/16W J	
R1412	QRE121J-1R0Y	C R	1.0Ω 1/2W J		R1739-41	NRSA63J-101X	MG R	100Ω 1/16W J	
R1413	QRX01GJ-2R7	MF R	2.7Ω 1W J		R1742	NRSA63J-0R0X	MG R	0.0Ω 1/16W J	
R1414	QRE121J-151Y	C R	150Ω 1/2W J		R1743	QRE141J-102Y	C R	1kΩ 1/4W J	
R1425	NRSA63J-683X	MG R	68kΩ 1/16W J		R1744	NRSA63J-561X	MG R	560Ω 1/16W J	
R1521	NRSA63J-101X	MG R	100Ω 1/16W J		R1745	NRSA63J-105X	MG R	1MΩ 1/16W J	
R1522	NRSA63J-102X	MG R	1kΩ 1/16W J		R1746	NRSA63J-333X	MG R	33kΩ 1/16W J	

△	Symbol No.	Part No.	Part Name	Description	Local	△	Symbol No.	Part No.	Part Name	Description	Local
RESISTOR						RESISTOR					
	R1747	NRSA63J-103X	MG R	10kΩ 1/16W	J		R1957	QRE121J-6R8Y	C R	6.8Ω 1/2W	J
	R1748-49	NRSA02J-475X	MG R	4.7MΩ 1/10W	J		R1960	NRSA63J-391X	MG R	390Ω 1/16W	J
	R1750-51	QRE141J-0R0Y	C R	0.0Ω 1/4W	J		R1961	QRL02EJ-223X	OM R	22kΩ 2W	J
	R1755-56	NRSA63J-101X	MG R	100Ω 1/16W	J		R1962	NRSA63J-561X	MG R	560Ω 1/16W	J
	R1757-58	NRSA63J-222X	MG R	2.2kΩ 1/16W	J		R1963	QRE121J-103Y	C R	10kΩ 1/2W	J
	R1760	NRSA63J-682X	MG R	6.8kΩ 1/16W	J		R1964	NRSA63J-473X	MG R	47kΩ 1/16W	J
	R1770	QRE121J-271Y	C R	270Ω 1/2W	J		R1965	NRSA63J-0R0X	MG R	0.0Ω 1/16W	J
	R1771	NRSA63J-102X	MG R	1kΩ 1/16W	J		R1966	NRSA63J-682X	MG R	6.8kΩ 1/16W	J
	R1772	QRE121J-271Y	C R	270Ω 1/2W	J		R1967	NRSA63J-473X	MG R	47kΩ 1/16W	J
	R1773	NRSA63J-102X	MG R	1kΩ 1/16W	J		R1970	NRSA63J-153X	MG R	15kΩ 1/16W	J
	R1775	NRSA63J-332X	MG R	3.3kΩ 1/16W	J		R1971	NRSA63J-183X	MG R	18kΩ 1/16W	J
	R1776	NRSA63J-392X	MG R	3.9kΩ 1/16W	J	△	R1991	QRZ0057-825	C R	8.2MΩ 1W	J
	R1777	NRSA63J-682X	MG R	6.8kΩ 1/16W	J	CAPACITOR					
	R1779	NRSA63J-272X	MG R	2.7kΩ 1/16W	J		C1001	NCB31HK-103X	C CAP.	0.01μF 50V	K
	R1780	NRSA63J-471X	MG R	470Ω 1/16W	J		C1002	QETN1HM-106Z	E CAP.	10μF 50V	M
	R1781	NRSA63J-122X	MG R	1.2kΩ 1/16W	J		C1003	QFV71HJ-104Z	MF CAP.	0.1μF 50V	J
	R1782	NRSA63J-181X	MG R	180Ω 1/16W	J		C1004	QETN1CM-477Z	E CAP.	470μF 16V	M
	R1783	NRSA63J-221X	MG R	220Ω 1/16W	J		C1005	NCB31HK-222X	C CAP.	2200pF 50V	K
	R1784	NRSA63J-331X	MG R	330Ω 1/16W	J		C1006	QETN1CM-336Z	E CAP.	33μF 16V	M
	R1785	NRSA63J-471X	MG R	470Ω 1/16W	J		C1007	NCB31HK-103X	C CAP.	0.01μF 50V	K
	R1803	NRSA63J-333X	MG R	33kΩ 1/16W	J		C1101-05	NCB31HK-472X	C CAP.	4700pF 50V	K
	R1804-05	NRSA63J-750X	MG R	75Ω 1/16W	J		C1106-07	NCB31HK-103X	C CAP.	0.01μF 50V	K
	R1808	NRSA63J-823X	MG R	82kΩ 1/16W	J		C1109	QETN1HM-106Z	E CAP.	10μF 50V	M
	R1809	NRSA63J-391X	MG R	390Ω 1/16W	J		C1130-32	NCB31HK-103X	C CAP.	0.01μF 50V	K
	R1810	NRSA63J-823X	MG R	82kΩ 1/16W	J		C1133	QETN1CM-107Z	E CAP.	100μF 16V	M
	R1811	NRSA63J-391X	MG R	390Ω 1/16W	J		C1134	NCB31HK-103X	C CAP.	0.01μF 50V	K
	R1812	NRSA63J-104X	MG R	100kΩ 1/16W	J		C1135	QETN1EM-476Z	E CAP.	47μF 25V	M
	R1813	NRSA63J-222X	MG R	2.2kΩ 1/16W	J		C1136-38	NCB31HK-103X	C CAP.	0.01μF 50V	K
	R1815	NRSA63J-101X	MG R	100Ω 1/16W	J		C1140-42	NCB31HK-103X	C CAP.	0.01μF 50V	K
	R1818	NRSA63J-222X	MG R	2.2kΩ 1/16W	J		C1143	QETN1HM-106Z	E CAP.	10μF 50V	M
	R1820	NRSA63J-101X	MG R	100Ω 1/16W	J		C1144	NCB31HK-223X	C CAP.	0.022μF 50V	K
	R1821	NRSA63J-222X	MG R	2.2kΩ 1/16W	J		C1308	NCB31HK-103X	C CAP.	0.01μF 50V	K
	R1823	NRSA63J-101X	MG R	100Ω 1/16W	J		C1352	QFK62EK-104Z	MM CAP.	0.1μF 250V	K
	R1824	NRSA63J-222X	MG R	2.2kΩ 1/16W	J		C1353	QETN2EM-475Z	E CAP.	4.7μF 250V	M
	R1826	NRSA63J-101X	MG R	100Ω 1/16W	J		C1354	QCZO131-222	C CAP.	2200pF 2000V	K
	R1829	NRSA63J-750X	MG R	75Ω 1/16W	J		C1355	QCZO131-472	C CAP.	4700pF 2000V	K
	R1830-31	NRSA63J-222X	MG R	2.2kΩ 1/16W	J		C1356	QETN1CM-107Z	E CAP.	100μF 16V	M
	R1832	NRSA63J-122X	MG R	1.2kΩ 1/16W	J		C1357	NDC31HJ-101X	C CAP.	100pF 50V	J
	R1833	NRSA63J-102X	MG R	1kΩ 1/16W	J		C1358	QETN1CM-477Z	E CAP.	470μF 16V	M
	R1834-35	NRSA63J-562X	MG R	5.6kΩ 1/16W	J		C1401	QETN1HM-105Z	E CAP.	1μF 50V	M
	R1836	NRSA63J-750X	MG R	75Ω 1/16W	J		C1402	QCB31HK-682Z	C CAP.	6800pF 50V	K
	R1837	NRSA63J-101X	MG R	100Ω 1/16W	J		C1403	QEHR1VM-227Z	E CAP.	220μF 35V	M
	R1838	QRK126J-121X	C R	120Ω 1/2W	J		C1406	QFLC2AJ-683Z	M CAP.	0.068μF 100V	J
	R1839-40	QRE121J-221Y	C R	220Ω 1/2W	J		C1408	QFV71HJ-184Z	MF CAP.	0.18μF 50V	J
	R1841-42	NRSA63J-0R0Y	MG R	0.0Ω 1/16W	J		C1411-12	NCF21HZ-334X	C CAP.	0.33μF 50V	Z
	R1843	NRSA63J-821X	MG R	820Ω 1/16W	J		C1413	QFLC2AJ-563Z	M CAP.	0.056μF 100V	J
	R1844	NRSA63J-222X	MG R	2.2kΩ 1/16W	J		C1422	QEHQ1VM-108	E CAP.	1000μF 35V	M
	R1845	NRSA63J-102X	MG R	1kΩ 1/16W	J		C1521	QETN1VM-476Z	E CAP.	47μF 35V	M
	R1846	NRSA63J-222X	MG R	2.2kΩ 1/16W	J		C1522	QFLC1HJ-332Z	M CAP.	3300pF 50V	J
	R1847	NRSA63J-103X	MG R	10kΩ 1/16W	J		C1523	QFLC1HJ-223Z	M CAP.	0.022μF 50V	J
	R1848	NRSA63J-471X	MG R	470Ω 1/16W	J		C1524	QFZ0200-612	MPP CAP.	6100pF 1.5kVH ±3%	
	R1849	NRSA63J-221X	MG R	220Ω 1/16W	J		C1525	QFZ0200-342	MPP CAP.	3400pF 1.5kVH ±3%	
	R1880	NRSA63J-202X	MG R	2kΩ 1/16W	J		C1526	QFP32GJ-393	PP CAP.	0.039μF 400V	J
	R1881	NRSA63J-103X	MG R	10kΩ 1/16W	J		C1527	QFZ0199-154	MPP CAP.	0.15μF 250V	J
	R1882	NRSA63J-471X	MG R	470Ω 1/16W	J		C1528	QFZ0197-124	MPP CAP.	0.12μF 250V	J
	R1883	NRSA63J-181X	MG R	180Ω 1/16W	J		C1529	QEHR2EM-475Z	E CAP.	4.7μF 250V	M
	R1884-85	QRE141J-750Y	C R	75Ω 1/4W	J		C1530	QCB32HK-561Z	C CAP.	560pF 500V	K
	R1902	QRF154K-2R2	UNF R	2.2Ω	K		C1531	QEHR1EM-108Z	E CAP.	1000μF 25V	M
	R1904	QRE121J-681Y	C R	680Ω 1/2W	J		C1533	QEHR1EM-108Z	E CAP.	1000μF 25V	M
	R1905	QRM034J-R22	MP R	0.22Ω 3W	J		C1535	QCB32HK-101Z	C CAP.	100pF 500V	K
	R1907	NRSA63J-563X	MG R	56kΩ 1/16W	J		C1536	QFLC1HJ-103Z	M CAP.	0.01μF 50V	J
	R1908	QRL039J-333	OM R	33kΩ 3W	J		C1540	QFV71HJ-104Z	MF CAP.	0.1μF 50V	J
	R1909	QRE121J-474Y	C R	470kΩ 1/2W	J		C1541	QETN2EM-475Z	E CAP.	4.7μF 250V	M
	R1910	QRE121J-332Y	C R	3.3kΩ 1/2W	J		C1550	NCB31CK-104X	C CAP.	0.1μF 16V	K
	R1911	QRE121J-332Y	C R	3.3kΩ 1/2W	J		C1591	QETN1AM-107Z	E CAP.	100μF 10V	M
	R1912	NRSA63J-182X	MG R	1.8kΩ 1/16W	J		C1592	QEZ0203-107	ECAP.	100μF 160V	M
△	R1915	QRZ0111-474	C R	470kΩ 1/2W	K		C1593	QETN1EM-476Z	E CAP.	47μF 25V	M
	R1952	NRSA63J-332X	MG R	3.3kΩ 1/16W	J		C1603	QETN1CM-228Z	E CAP.	2200μF 16V	M
	R1953	NRSA63J-101X	MG R	100Ω 1/16W	J		C1625	QETN1HM-106Z	E CAP.	10μF 50V	M
	R1954	QRE121J-560Y	C R	56Ω 1/2W	J						
	R1955	QRG01GJ-330	OM R	33Ω 1W	J						
	R1956	QRE121J-100Y	C R	10Ω 1/2W	J						

△ Symbol No.	Part No.	Part Name	Description	Local
CAPACITOR				
C1626	QETN1CM-107Z	E CAP.	100µF 16V M	
C1629	QETN1HM-475Z	E CAP.	4.7µF 50V M	
C1630	NDC31HJ-471X	C CAP.	470pF 50V J	
C1631	NCB31EK-333X	C CAP.	0.033µF 25V K	
C1634	QETN1HM-106Z	E CAP.	10µF 50V M	
C1636-37	QETN1HM-105Z	E CAP.	1µF 50V M	
C1638	NCB31EK-333X	C CAP.	0.033µF 25V K	
C1639	NDC31HJ-471X	C CAP.	470pF 50V J	
C1640	QETN1HM-475Z	E CAP.	4.7µF 50V M	
C1641	QETN1CM-107Z	E CAP.	100µF 16V M	
C1642	NCB31CK-104X	C CAP.	0.1µF 16V K	
C1643	NCB31HK-562X	C CAP.	5600pF 50V K	
C1644	QETN1HM-475Z	E CAP.	4.7µF 50V M	
C1645-46	QETN1HM-106Z	E CAP.	10µF 50V M	
C1647	NCB31EK-393X	C CAP.	0.039µF 25V K	
C1648	NCB31HK-223X	C CAP.	0.022µF 50V K	
C1650	QEHR1HM-106Z	E CAP.	10µF 50V M	
C1651	QEHR1HM-107Z	E CAP.	100µF 50V M	
C1652	QETN1HM-106Z	E CAP.	10µF 50V M	
C1655-56	QEQH1VM-108	E CAP.	1000µF 35V M	
C1659-61	NCF21HZ-224X	C CAP.	0.22µF 50V Z	
C1662	QEHR1HM-106Z	E CAP.	10µF 50V M	
C1663	NCF21HZ-224X	C CAP.	0.22µF 50V Z	
C1665	NCF31AZ-105X	C CAP.	1µF 10V Z	
C1669	NCF31AZ-105X	C CAP.	1µF 10V Z	
C1681-82	QETN1CM-227Z	E CAP.	220µF 16V M	
C1683	QETN1CM-336Z	E CAP.	33µF 16V M	
C1684	QETN1HM-106Z	E CAP.	10µF 50V M	
C1685-86	NRSA63J-0R0X	MG R	0.0Ω 1/16W J	
C1702	QETN1HM-106Z	E CAP.	10µF 50V M	
C1703-04	NDC31HJ-220X	C CAP.	22pF 50V J	
C1706	NCB21EK-224X	C CAP.	0.22µF 25V K	
C1707	QETN1CM-107Z	E CAP.	100µF 16V M	
C1709	QETN1CM-107Z	E CAP.	100µF 16V M	
C1710	NCB21EK-224X	C CAP.	0.22µF 25V K	
C1711	NCB31CK-104X	C CAP.	0.1µF 16V K	
C1713	NCB31CK-104X	C CAP.	0.1µF 16V K	
C1714-15	QETN1CM-476Z	E CAP.	47µF 16V M	
C1720	QETN1CM-476Z	E CAP.	47µF 16V M	
C1725	NCB31HK-681X	C CAP.	680pF 50V K	
C1726	QETN1HM-106Z	E CAP.	10µF 50V M	
C1730-31	NCB21EK-224X	C CAP.	0.22µF 25V K	
C1732	QETN1CM-107Z	E CAP.	100µF 16V M	
C1733	NCB31CK-104X	C CAP.	0.1µF 16V K	
C1734-35	NCB31HK-222X	C CAP.	2200pF 50V K	
C1736-37	QETN1HM-105Z	E CAP.	1µF 50V M	
C1738	NCB31CK-104X	C CAP.	0.1µF 16V K	
C1739	NFV41CJ-104X	MPP CAP.	0.1µF 16V J	
C1740	QETN1HM-225Z	E CAP.	2.2µF 50V M	
C1741-42	NCB31CK-104X	C CAP.	0.1µF 16V K	
C1743	QETN1CM-107Z	E CAP.	100µF 16V M	
C1744	NCB21HK-102X	C CAP.	1000pF 50V K	
C1745-47	NCB31EK-473X	C CAP.	0.047µF 25V K	
C1749	QETN1HM-106Z	E CAP.	10µF 50V M	
C1751-53	NCB31CK-104X	C CAP.	0.1µF 16V K	
C1760	NCB21EK-104X	C CAP.	0.1µF 25V K	
C1761	QETN1CM-107Z	E CAP.	100µF 16V M	
C1770	QETN1HM-106Z	E CAP.	10µF 50V M	
C1801-04	QETN1HM-106Z	E CAP.	10µF 50V M	
C1805	QFLC1HJ-104Z	M CAP.	0.1µF 50V J	
C1807-08	NCF31AZ-105X	C CAP.	1µF 10V Z	
C1810	NCF31AZ-105X	C CAP.	1µF 10V Z	
C1811	QFLC1HJ-104Z	M CAP.	0.1µF 50V J	
C1812	NCF31AZ-105X	C CAP.	1µF 10V Z	
C1813	NCB31HK-103X	C CAP.	0.01µF 50V K	
C1814	QFLC1HJ-104Z	M CAP.	0.1µF 50V J	
C1815	NCF31AZ-105X	C CAP.	1µF 10V Z	
C1817	NCF31AZ-105X	C CAP.	1µF 10V Z	
C1819	QFLC1HJ-104Z	M CAP.	0.1µF 50V J	
C1820-21	NCF31AZ-105X	C CAP.	1µF 10V Z	
C1822	QETN1CM-477Z	E CAP.	470µF 16V M	
C1823-24	QETN1CM-107Z	E CAP.	100µF 16V M	

△ Symbol No.	Part No.	Part Name	Description	Local
CAPACITOR				
C1825	NCB31HK-103X	C CAP.	0.01µF 50V K	
C1826	QFLC1HJ-104Z	M CAP.	0.1µF 50V J	
C1827	NCB31HK-103X	C CAP.	0.01µF 50V K	
C1829-31	NCB31HK-103X	C CAP.	0.01µF 50V K	
C1833	QETN1HM-226Z	E CAP.	22µF 50V M	
C1834	NDC31HJ-181X	C CAP.	180pF 50V J	
△ C1901	QFZ9073-104	MF CAP.	0.1µF	
△ C1902	QFZ9073-473	C CAP.	0.047µF	
C1903-05	QCZ9015-102Z	C CAP.	1000pF 250V Z	
△ C1906	QFZ9073-224	MF CAP.	0.22µF	
C1907	QEZ0552-227	E CAP.	220µF	
C1908	QCZ0364-222	C CAP.	2200pF	
C1910	NDC21HJ-471X	C CAP.	470pF 50V J	
C1911	QEHR1EM-227Z	E CAP.	220µF 25V M	
C1914	QETN1EM-227Z	E CAP.	220µF 25V M	
C1915	QFLC1HJ-222Z	M CAP.	2200pF 50V J	
C1952	QCB32HK-471Z	C CAP.	470pF 500V K	
C1953	QEQH1VM-108	E CAP.	1000µF 35V M	
C1954	NCB31HK-102X	C CAP.	1000pF 50V K	
C1957	QCB32HK-471Z	C CAP.	470pF 500V K	
C1958	QEQH1EM-108	E CAP.	1000µF 25V M	
C1959	QCZ0364-561	C CAP.	560pF	
C1960	QEZ0203-107	E CAP.	100µF 160V M	
C1962	QETN1HM-106Z	E CAP.	10µF 50V M	
C1963	QETN1CM-476Z	E CAP.	47µF 16V M	
C1964	QEHR1VM-476Z	E CAP.	47µF 35V M	
C1968	NCB31CK-104X	C CAP.	0.1µF 16V K	
C1972	QEHR1VM-476Z	E CAP.	47µF 35V M	
C1973	QEHR1CM-107Z	E CAP.	100µF 16V M	
C1974	NCB31CK-104X	C CAP.	0.1µF 16V K	
C1975	QEHR1CM-227Z	E CAP.	220µF 16V M	
C1976	QEHR1CM-107Z	E CAP.	100µF 16V M	
C1977	QEHR1AM-477Z	E CAP.	470µF 10V M	
C1978	NCB21HK-104X	C CAP.	0.1µF 50V K	
C1980	QETN1CM-107Z	E CAP.	100µF 16V M	
△ C1991-93	QCZ9079-102	C CAP.	1000pF 250V M	

TRANSFORMER

T1521	CE40203-00CJ1	DRIVE TRANSF.
△ T1551	QQH0104-001	H.V.TRANSF.
△ T1901	QQS0117-001	SWTICH.TRANSF.

COIL

L1001-02	QQL244K-8R2Z	COIL	8.2µH	K
L1101	QQL244J-5R6Z	COIL	5.6µH	J
L1103	QQL244K-100Z	COIL	10µH	K
L1104	QQL244J-5R6Z	COIL	5.6µH	J
L1351	QQL03BJ-5R6Z	COIL	5.6µH	J
L1523	QQR1005-004	LINEARITY COIL		
L1524	QQLZ034-360	CHOKE COIL	36µH	
L1701-02	QQL244K-100Z	COIL	10µH	K
L1731	QQL244J-5R6Z	COIL	5.6µH	J
L1951	QQLZ034-460	CHOKE COIL	46µH	
L1953-54	QQL244J-5R6Z	COIL	5.6µH	J

DIODE

D1101	DAN235K-X	SI.DIODE
D1351	MA111-X	SI.DIODE
D1356	MA111-X	SI.DIODE
D1357	RGP10J-5025-T3	SI.DIODE
D1358	RGP10J-5025-T3	SI.DIODE
D1359	RGP10J-5025-T3	SI.DIODE
D1360	MA3075/M-X	ZENER DIODE
D1361-64	MA111-X	SI.DIODE

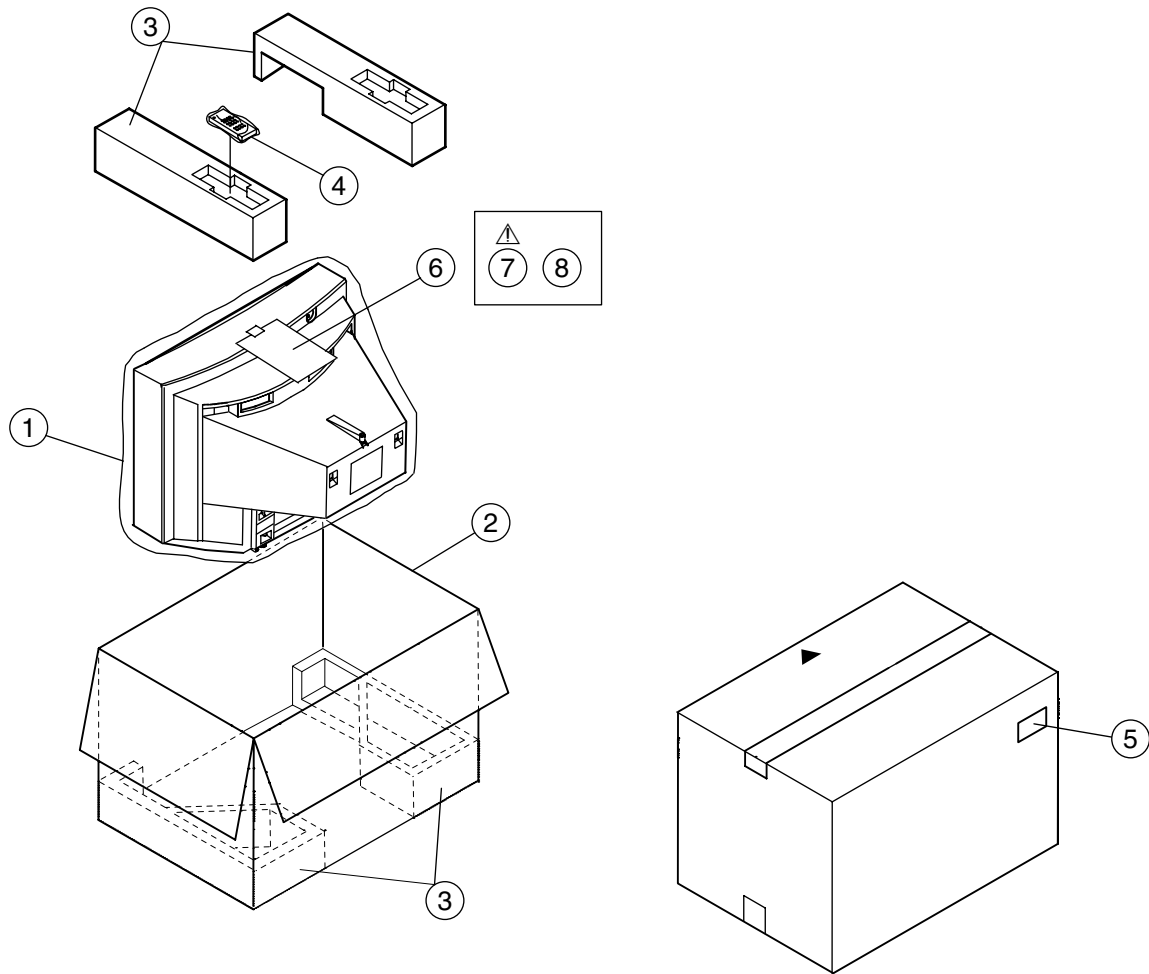
△ Symbol No.	Part No.	Part Name	Description	Local	△ Symbol No.	Part No.	Part Name	Description	Local
DIODE					TRANSISTOR				
D1401	RGP10J-5025-T3	SI.DIODE			Q1720	2SA1037AK/QR/-X	SI.TRANSISTOR		
D1402	MTZJ75-T2	ZENER DIODE			Q1770	2SA1037AK/QR/-X	SI.TRANSISTOR		
D1405	1N4003-T2	SI.DIODE			Q1801-02	DTC323TK-X	DIGI.TRANSISTOR		
D1408	MA111-X	SI.DIODE			Q1803	2SA1037AK/QR/-X	SI.TRANSISTOR		
D1521	ERB06-15-F1	SI.DIODE			Q1804	2SC1740S/QR/-T	SI.TRANSISTOR		
D1522	RU3AM-LFC4	SI.DIODE			Q1860	2SC2412K/QR/-X	SI.TRANSISTOR		
D1523	RGP10J-5025-T3	SI.DIODE			Q1861-62	2SA1037AK/QR/-X	SI.TRANSISTOR		
D1541	RGP10J-5025-T3	SI.DIODE			Q1952-54	2SC2412K/QR/-X	SI.TRANSISTOR		
D1550	MA111-X	SI.DIODE			IC				
D1551	RGP10J-5025-T3	SI.DIODE			IC1130	M52342SP	I.C(MONO-ANA)		
D1553	RGP10J-5025-T3	SI.DIODE			IC1351	TDA6107Q/N2	I.C(MONO-ANA)		
D1554	RGP10J-5025-T3	SI.DIODE			IC1401	AN5522	I.C(MONO-ANA)		
D1592	MA3075/H/-X	ZENER DIODE			IC1602	BH3865S	I.C(MONO-ANA)		
D1652-53	MA3330/L/-X	ZENER DIODE			IC1650	AN5276	I.C(MONO-ANA)		
D1682	MA111-X	SI.DIODE			IC1701	TDA9386N12S0555	I.C(MICRO-COMP)		
D1702	MA3024-X	ZENER DIODE			IC1702	AT24C08-21LS	I.C(MEMORY-OTH)	(SERVICE)	
D1730-33	MA111-X	SI.DIODE			IC1760	GP1U281Q	IFR DETECT UNIT		
D1760	SLR-342VR-T16	L.E.D.			IC1801	MM1492AF	I.C(MONO-ANA)		
D1770	MA111-X	SI.DIODE			IC1901	STR-F6707A/F7	I.C(HYBRID)		
D1771	P1241-04	C.D.S.			IC1951	SE135N	I.C(HYBRID)		
D1806-07	MTZJ12C-T2	ZENER DIODE			IC1972	L88M33T-X	I.C(MONO-ANA)		
D1901	GSIB460	DIODE			IC1974	BA51W12ST-V5	I.C(MONO-ANA)		
D1903	MTZJ12C-T2	ZENER DIODE			OTHERS				
D1904	EG01C-T2	SI.DIODE				LC30114-001C-H	L.E.D.HOLDER		
D1906	EG01C-T2	SI.DIODE				CM35921-005-H	CDS HOLDER		
D1907	MA3300/M/-X	CHIP ZENER DIODE			CF1104	TPS5.5MW	CERAMIC FILTER		
D1908	MTZJ27B-T2	ZENER DIODE			CF1105	TPS6.5MB	CERAMIC FILTER		
D1909	MA111-X	SI.DIODE			CF1106	TPSH6.0MB	CERAMIC FILTER		
D1910	NRSA63J-0R0X	MG R	0.0Ω 1/16W J		CF1130-31	SFE5.74MC2	CERAMIC TRAP		
D1911	RGP10J-TS-T3	SI.DIODE			CF1140	QAX0336-001	CERAMIC FILTER		
D1912	1SS133-T2	SI.DIODE			CF1141	QAX0337-001	CERAMIC FILTER		
D1914	ERC30-02L38	SI.DIODE			CF1142	QAX0338-001	CERAMIC FILTER		
D1952	ERC30-02L38	SI.DIODE			CL1001	QZW0027-002	WIRE CLAMP		
D1954	RGP30B-F1	SI.DIODE			△ CP1951	ICP-N75-Y	I.C.PROTECT		
D1955	1SR35-400A-T2	SI.DIODE			△ CP1953	ICP-N38-Y	I.C.PROTECT		
D1956	RU3AM-LFC4	SI.DIODE			△ F1901	QMF51E2-4R0J4	FUSE		
D1958	MTZJ5.1A-T2	ZENER DIODE			FC1901	CEMG002-001Z	FUSE CLIP		
D1964	MA3330/L/-X	ZENER DIODE			J1770	QNS0155-001	JACK		
D1965	1SS133-T2	SI.DIODE			J1771	QNN0282-003	PIN JACK		
D1966	MA3068/M/-X	ZENER DIODE			J1772	QNN0282-002	PIN JACK		
D1968-69	MA111-X	SI.DIODE			J1773	QNN0282-001	PIN JACK		
TRANSISTOR					J1801	QNN0349-001	PIN JACK		
Q1101	2SC5083/L-P/-T	SI.TRANSISTOR			J1802	QNN0349-002	PIN JACK		
Q1102	DTC124EKA-X	DIGI.TRANSISTOR			J1803	QNN0348-001	PIN JACK		
Q1107	2SA1037AK/QR/-X	SI.TRANSISTOR			J1804	QNN0349-001	PIN JACK		
Q1108	2SC2412K/QR/-X	SI.TRANSISTOR			K1951	QQR1214-001Y	FERRITE BEADS		
Q1109	2SA1037AK/QR/-X	SI.TRANSISTOR			K1954-55	QQR1214-001Y	FERRITE BEADS		
Q1130	2SA1037AK/QR/-X	SI.TRANSISTOR			△ LF1901	QQR0673-004	LINE FILTER		
Q1131	DTC124EKA-X	DIGI.TRANSISTOR			△ LF1902	QQR1035-002	LINE FILTER		
Q1132	2SC2412K/QR/-X	SI.TRANSISTOR			△ PC1901	PC123F2	I.C(PH.COUPLER)		
Q1133	2SA1037AK/QR/-X	SI.TRANSISTOR			△ RY1901	QSK0061-001	RELAY		
Q1134-35	DTC124EKA-X	DIGI.TRANSISTOR			S1780	QSW0619-003Z	PUSH SWITCH	MENU	
Q1136-37	2SC2412K/QR/-X	SI.TRANSISTOR			S1781	QSW0619-003Z	PUSH SWITCH	CH-	
Q1301-02	2SA1037AK/QR/-X	SI.TRANSISTOR			S1782	QSW0619-003Z	PUSH SWITCH	CH+	
Q1351	2SA1037AK/QR/-X	SI.TRANSISTOR			S1783	QSW0619-003Z	PUSH SWITCH	VOL-	
Q1352	2SC4722/NP/	SI.TRANSISTOR			S1784	QSW0619-003Z	PUSH SWITCH	VOL+	
Q1353-55	2SC2412K/QR/-X	SI.TRANSISTOR			△ S1901	QSW0846-001	PUSH SWITCH	POWER	
Q1521	2SC2655/Y/-T	SI.TRANSISTOR			SF1101	QAX0325-001	SAW FILTER		
Q1522	2SD2634-YD	SI.TRANSISTOR			SF1102	QAX0594-001	SAW FILTER		
Q1591	2SA1208/ST/Z1-T	SI.TRANSISTOR			SG1301-03	QAF0006-501	ARRESTER		
Q1592	DTC124EKA-X	DIGI.TRANSISTOR			SG1304	QAF0041-272	ARRESTER		
Q1660-61	2SC2412K/QR/-X	SI.TRANSISTOR			△ SK1351	CE42446-001	C.R.T.SOCKET		
Q1683-84	2SA1037AK/QR/-X	SI.TRANSISTOR			TH1901	QAD0134-4R5	P.THERMISTOR		
Q1685-86	DTC323TK-X	DIGI.TRANSISTOR			TU1001	QAU0185-004	TUNER		
Q1687	2SC2412K/QR/-X	SI.TRANSISTOR			△ VA1901	QAF0052-621	VARISTOR		
Q1688	2SA1037AK/QR/-X	SI.TRANSISTOR			W1003	QQR1214-001Y	FERRITE BEADS		
Q1701-02	2SA1037AK/QR/-X	SI.TRANSISTOR							
Q1703	2SC2412K/QR/-X	SI.TRANSISTOR							

△ Symbol No.	Part No.	Part Name	Description	Local
OTHERS				
W1008	NRSA63J-OR0X	MG R	0.0Ω 1/16W	J
W1010	NRSA63J-OR0X	MG R	0.0Ω 1/16W	J
W1052	QQR1214-001Y	FERRITE BEADS		
W1067	QQR1214-001Y	FERRITE BEADS		
W1071	NRSA63J-OR0X	MG R	0.0Ω 1/16W	J
W1096	NRSA63J-OR0X	MG R	0.0Ω 1/16W	J
W1107	QQR1214-001Y	FERRITE BEADS		
W1239	NRSA63J-OR0X	MG R	0.0Ω 1/16W	J
W1257	NRSA63J-OR0X	MG R	0.0Ω 1/16W	J
W1293	QQR1214-001Y	FERRITE BEADS		
W1307	NRSA63J-OR0X	MG R	0.0Ω 1/16W	J
W1309	NRSA63J-OR0X	MG R	0.0Ω 1/16W	J
W1318	QQR1214-001Y	FERRITE BEADS		
W1321-22	NRSA63J-OR0X	MG R	0.0Ω 1/16W	J
W1325-26	NRSA63J-OR0X	MG R	0.0Ω 1/16W	J
W1330	NRSA63J-OR0X	MG R	0.0Ω 1/16W	J
W1333	NRSA63J-OR0X	MG R	0.0Ω 1/16W	J
W1375	NRSA63J-OR0X	MG R	0.0Ω 1/16W	J
W1379	NRSA63J-OR0X	MG R	0.0Ω 1/16W	J
W1388	NRSA63J-OR0X	MG R	0.0Ω 1/16W	J
W1418	NRSA63J-OR0X	MG R	0.0Ω 1/16W	J
W1424	QQR1214-001Y	FERRITE BEADS		
W1430	NRSA63J-OR0X	MG R	0.0Ω 1/16W	J
X1701	QAX0688-001	CRYSTAL		
Y1001	NRSA63J-OR0X	MG R	0.0Ω 1/16W	J
Y1003	NRSA63J-OR0X	MG R	0.0Ω 1/16W	J
Y1103	QRE141J-OR0Y	C R	0.0Ω 1/4W	J
Y1301-02	NRSA63J-OR0X	MG R	0.0Ω 1/16W	J
Y1601	NRSA63J-OR0X	MG R	0.0Ω 1/16W	J
Y1603	NRSA63J-OR0X	MG R	0.0Ω 1/16W	J

REMOTE CONTROL UNIT PARTS LIST(RM-C359-1C)

△ Ref.No.	Part No.	Part Name	Description	Local
	31392340128	BATTERY COVER		

PACKING



PACKING PARTS LIST

△ Ref.No.	Part No.	Part Name	Description	Local
1	CP30697-005-H	POLY BAG		
2	GG10045-013A-H	P CASE		
3	GG10131-001B-H	CUSHION ASSY		
4	RM-C359-1C	RC HAND UNIT		
5	CM47385-00B-H	SERIAL LABEL	(X2)	
6	QPA02503505	POLY BAG		
△ 7	LCT1008-001A-H	INST BOOK		
8	ATEAB001-00A	MATCHING BOX		